

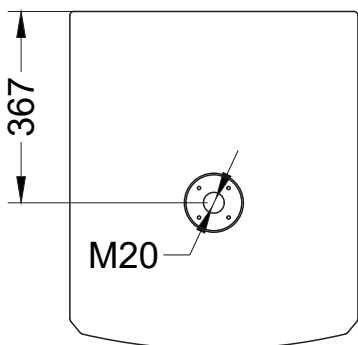
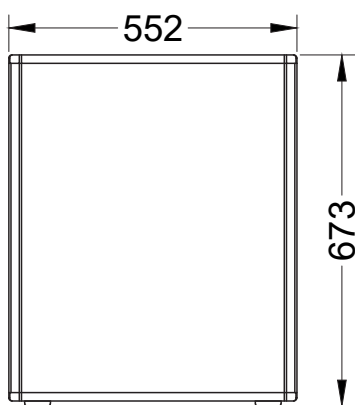
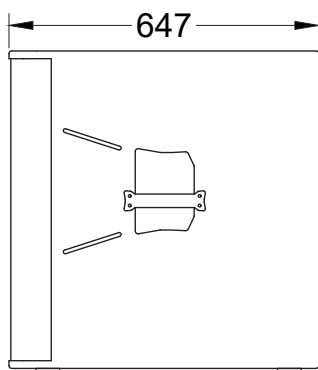


Z 318

PASSIVE
SUBWOOFER

Z series was created to deliver the power and professional sound quality into various indoor and outdoor spaces while keeping budget considerations in check.

Z 318 is an effective passive subwoofer for reinforcing Z series full-range cabinets. Subwoofer is equipped with M20 distance pole socket for convenient installation, and is compact enough for use by mobile professionals.



Main features:

- 450W nominal power
- 18" woofer with 3" voice coil
- Efficient vented box design
- 132 dB Max SPL
- M20 distance pole socket

Frequency Response (-10dB)	33 - 300 Hz
Max SPL ¹	132 dB
Sensitivity (1W/1m)	97 dB
LF Driver	18", 3"
Impedance	4 Ohm
Nominal power ²	450 W
Connectors	2x NeutrikSpeakon
Dimensions (W×H×D), mm	552x673x647 mm
Net weight, kg	41,1 kg
Shipping weight, kg	44,1 kg
Mounting	M20 distance pole adapter
Enclosure material	Plywood; wear-resistant paint
Grill	Steel grill, polymer protective net

¹ - peak value, calculated according to AES 2 - 2012

² - based on transducer power measured according to AES 2 - 2012

With dedication to constant improvement of the products, manufacturer may change the listed specifications without prior notice